

CAD 3/4 C

CADET Tap Range Cadet Bath Taps Chrome



Features:

- Supplied with metal handles
- Supplied with metal backnuts
- Chrome plated to BS EN 248

Product Certifications:



Expiry: 30/09/2022
Cert N°: 1709005

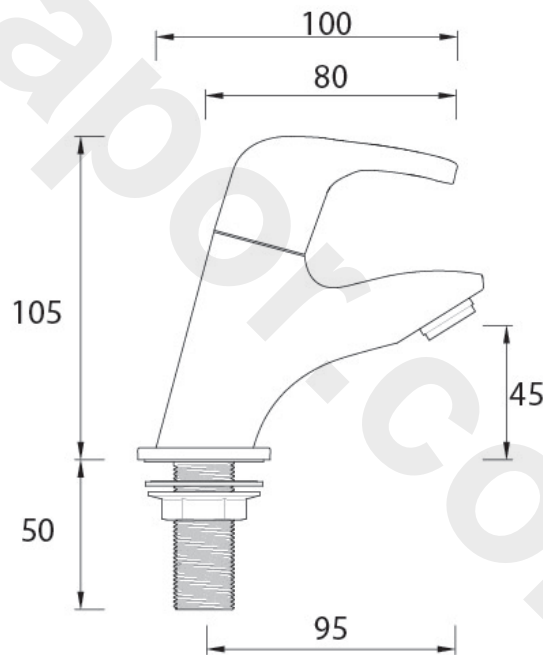
For more CADET products please go to www.bristan.com or use the QR Code:



Specification

Style:	Contemporary
Product Type:	Bathroom Taps
Finish/Colour:	Chrome
Main Construction Material:	Brass
Mount Type:	Deck
Handle Type:	Paddle
Connection Inlet:	3/4" BSP
Connection Outlet:	Open
Number of Tap Holes:	2
Valve/Cartridge Type:	3/4" Ceramic Disc Valve
Plumbing System Requirements:	All
Working Pressure Range:	Min 0.2 Bar, Max 5.0 Bar
Maximum Hot Water Temperature: °C	60
Maximum Dynamic Pressure: (bar)	5
Maximum Static Pressure: (bar)	10
Flow Type:	Single
Flow Rate: (l/min @ 3 bar)	67.7
Isolation Included:	No

Dimensions (measurements in mm)



Flow Rates (l/min)

System Pressure (bar)	0.2	0.5	1	2	3	5
CAD 3/4 C	15.4	27.2	38.9	55.3	67.7	87.4

TECHNICAL
DATA
SHEET



BRISTAN
TAPS & SHOWERS

D3